

E-TORK[®]

ETQ Series Electric Actuator



ETQ Series Quarter Turn Electric Actuator



- ▶ For On-Off and modulation operation
- ▶ 13 sizes with torque from 100Nm to 6000Nm
- ▶ Robust hard anodized aluminium housing epoxy coated
- ▶ Heavy duty squirrel caged induction motor gives high starting torque
- ▶ Dome type easy visibility position indicator
- ▶ Manual override auto declutch mechanism
- ▶ Enclosure IP67 and optional explosion proof Exd IIB T4
- ▶ Anti condensation space heater
- ▶ Auxiliary limit & over torque switches to protect actuator
- ▶ Permanently lubricated for trouble free operation
- ▶ Optional accessories available on request
- ▶ Sales support and back up by our team.

series electric actuator are available from 100 to 6000 Nm torque output. Due to robust design and construction they can be used in most industrial environments. The housing is hard anodized Aluminium Alloy and external epoxy coating paint provides superior resistance for rigorous environments.

The actuator is fitted with a specially designed squirrel cage induction motor to generate high starting torque and is fitted with thermal overload protection to prevent damage from overheating. Included internally are both torque and limit switches for remote indication.

Actuators are supplied standard with manual override and external operating lever that switches the actuator to manual mode. This is automatically disengaged when switched to electrical operation. The gear mechanism is self locking to eliminate the possibility of reverse movement from the valve.

Removable drive bushing allows easy adaption to suit most valve requirements.

Available with a range of optional accessories including extra limit switches, potentiometer, process control unit, local control and signal indication.



ETQ Series Quarter Turn Electric Actuator

ETQ 100 - ETQ 6000

Actuator Model	ISO5211	Torque Nm	Duty Cycle%	Operating Time Seconds Single Phs. 50 Hz	Max. Bore Square	Max. Bore Key	Rated Current A Single Phs. 230V 50 Hz	Rated Current A Single Phs. 110V 50 Hz	Rated Current A Three Phs. 380V 50 Hz	Rated Current A Three Phs. 440V 50 Hz	Weight Kg.
ETQ 100	F07	100	40	21	20	22	0.52	0.98	0.43	0.59	7
ETQ 160	F07/F10	160	30	26	23	25	0.85	1.60	0.30	0.30	15
ETQ 240	F10/F12	240	30	26	23	25	0.87	1.62	0.32	0.32	15
ETQ 350	F10/F12	350	30	31	34	40	0.92	1.72	0.32	0.32	15
ETQ 500	F12/14	500	30	31	34	40	1.50	3.60	0.52	0.55	20
ETQ 800	F12/14	800	30	39	40	48	2.05	3.90	0.82	0.82	25
ETQ 1100	F12/14	1100	30	39	40	48	2.15	3.90	0.84	0.84	25
ETQ 1500	F16	1500	30	93	64	75	1.50	3.60	0.52	0.55	65
ETQ 2000	F16	2000	30	117	64	75	2.05	3.80	0.82	0.82	75
ETQ 3000	F16	3000	30	117	64	75	2.15	3.80	0.84	0.84	75
ETQ 4000	F14/F16	4000	30	185	36	65	2.35	4.2	0.87	0.81	83
ETQ 5000	F14/F16	5000	30	185	36	65	2.35	4.2	0.87	0.81	83
ETQ 6000	F14/F16	6000	30	185	36	65	2.35	4.2	0.87	0.81	83

Accessories	Description	Accessories	Description
EX	Explosion-proof Exd IIB T4	CT	Current Transmitter (Output signal 4 ~ 20mA)
WT	Watertight IP68 10M 100Hr.	PCU	Process Control Unit (4 ~ 20mA input & output signal)
ALS	Auxiliary Limit Switches	LCU	Local Control Unit
ATS	Auxiliary Torque Switches	LCD	LCD Signal Indication
SV	Variation in Torque and Operating Speed	FS	Fail Safe
PK	Potentiometer Kit (0 ~ 1K ohm)	DI	Dome type Indicator

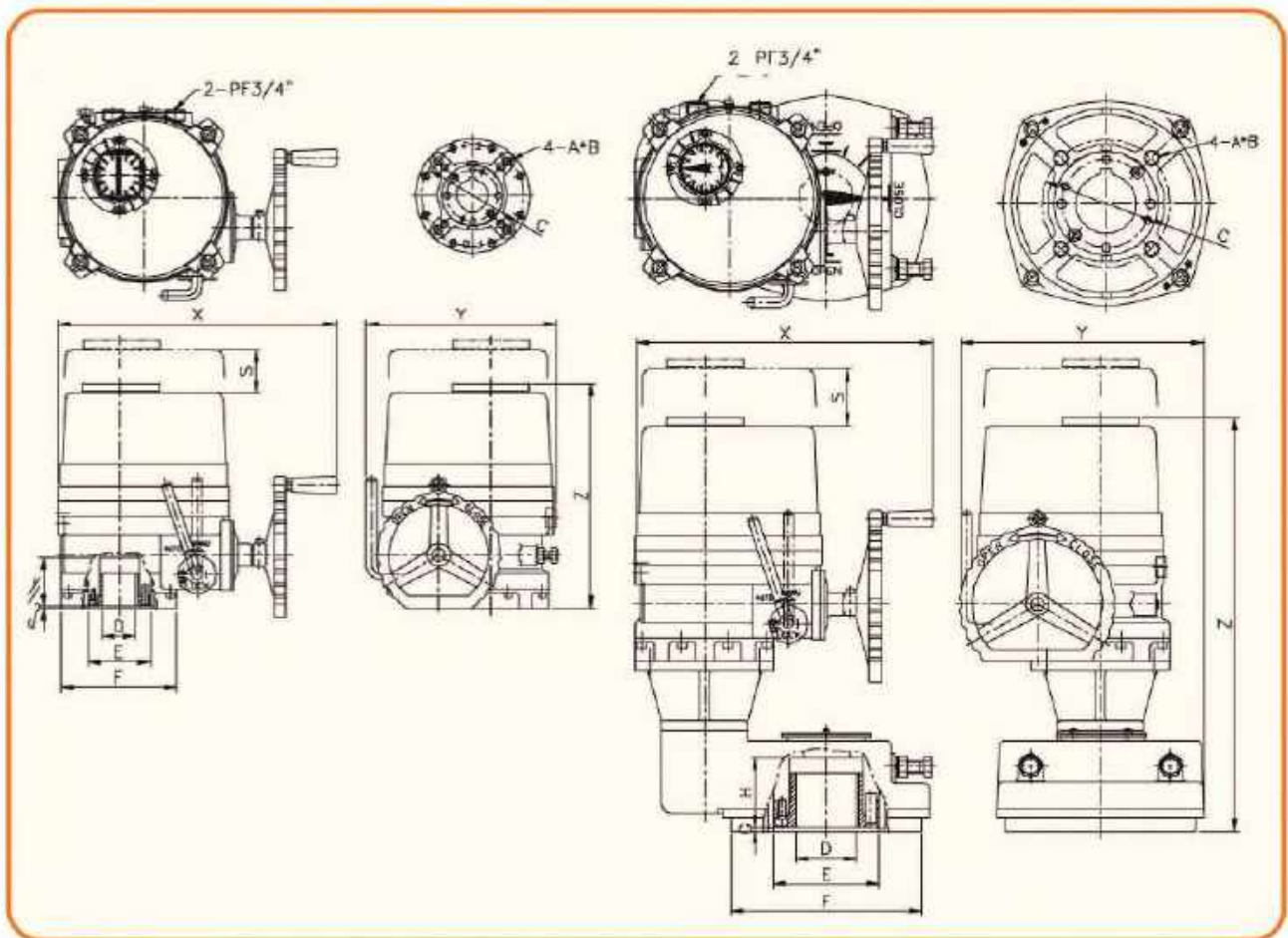
ETQ

Model	Torque	Power	Control Type	Protection	Accessories
ETQ	100	1) 24VDC	1) on/off	1) Weather-Proof IP67	
	160	2) 110VAC	2) modulating	2) Explosion-Proof EExdIIBT4	
	240	3) 220VAC			
	350	4) 380VAC			
	500	5) 440VAC			
	800				
	1100				
	1500				
	2000				
	3000				
	4000				
	5000				
	6000				



ETQ Series Quarter Turn Electric Actuator

Dimension	(mm)							With Gear Box						(mm)		
Flange	F07	F07	F07	F10	F10	F12	F12	F16	F16	F16	F16	F16	F16	F16		
ISO5211		F10	F10	F12	F12	F14	F14									
C	∅ 70	∅ 70	∅ 70	∅ 102	∅ 102	∅ 125	∅ 125	∅ 165	∅ 165	∅ 165	∅ 165	∅ 165	∅ 165	∅ 165		
		∅ 102	∅ 102	∅ 125	∅ 125	∅ 140	∅ 140									
A	M8	M8/M10	M8/M10	M10/M12	M10/M12	M12/M16	M12/M16	M20	M20	M20	M16	M16	M16	M16		
B	14	14/17	14/17	17/21	17/21	20/25	20/25	32	32	32	24	24	24	24		
D(Key)	∅ 22	∅ 25	∅ 25	∅ 40	∅ 40	∅ 48	∅ 48	∅ 75	∅ 75	∅ 75	∅ 65	∅ 65	∅ 65	∅ 65		
D(Squ.)	□ 20	□ 23	□ 23	□ 34	□ 34	□ 40	□ 40	□ 64	□ 64	□ 64	□ 36	□ 36	□ 36	□ 36		
E	∅ 50	∅ 58.5	∅ 58.5	∅ 80	∅ 80	∅ 95	∅ 95	∅ 135	∅ 135	∅ 135	∅ 90	∅ 90	∅ 90	∅ 90		
F	∅ 88	∅ 125	∅ 125	∅ 148	∅ 148	∅ 178	∅ 178	∅ 245	∅ 245	∅ 245	∅ 285	∅ 285	∅ 285	∅ 285		
G	3	3	3	3	3	3	3	5	5	5	10	10	10	10		
H	37	57	57	62	62	67	67	90	90	90	70	70	70	70		
S	100	115	115	145	145	170	170	145	170	170						
X	258	338	338	357	357	380	380	368	380	380	390	390	390	390		
Y	172	229	229	244	244	287	287	293	312	312	332	332	332	332		
Z	220	259	259	288	288	313	313	506	531	531	526	526	526	526		

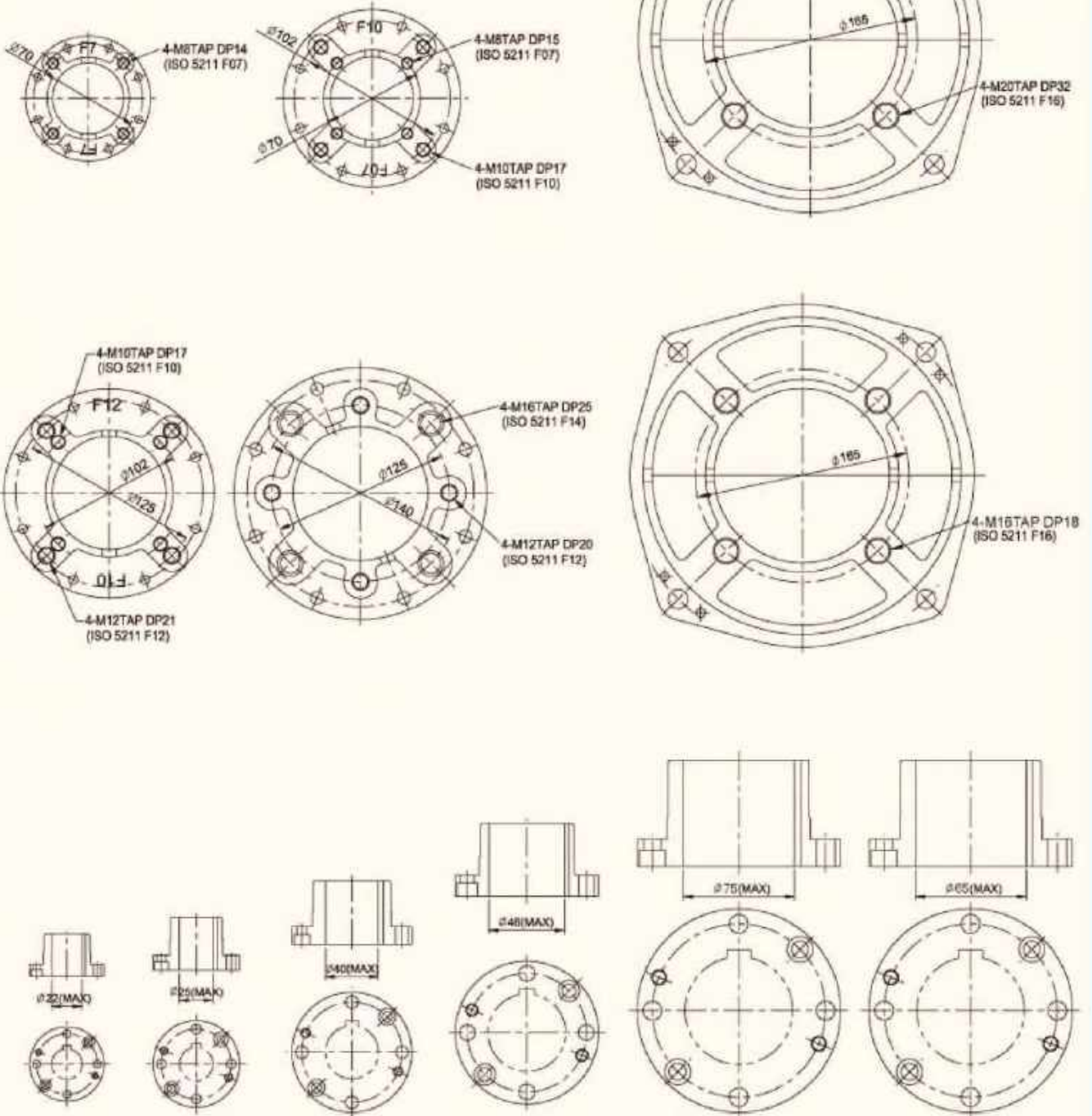


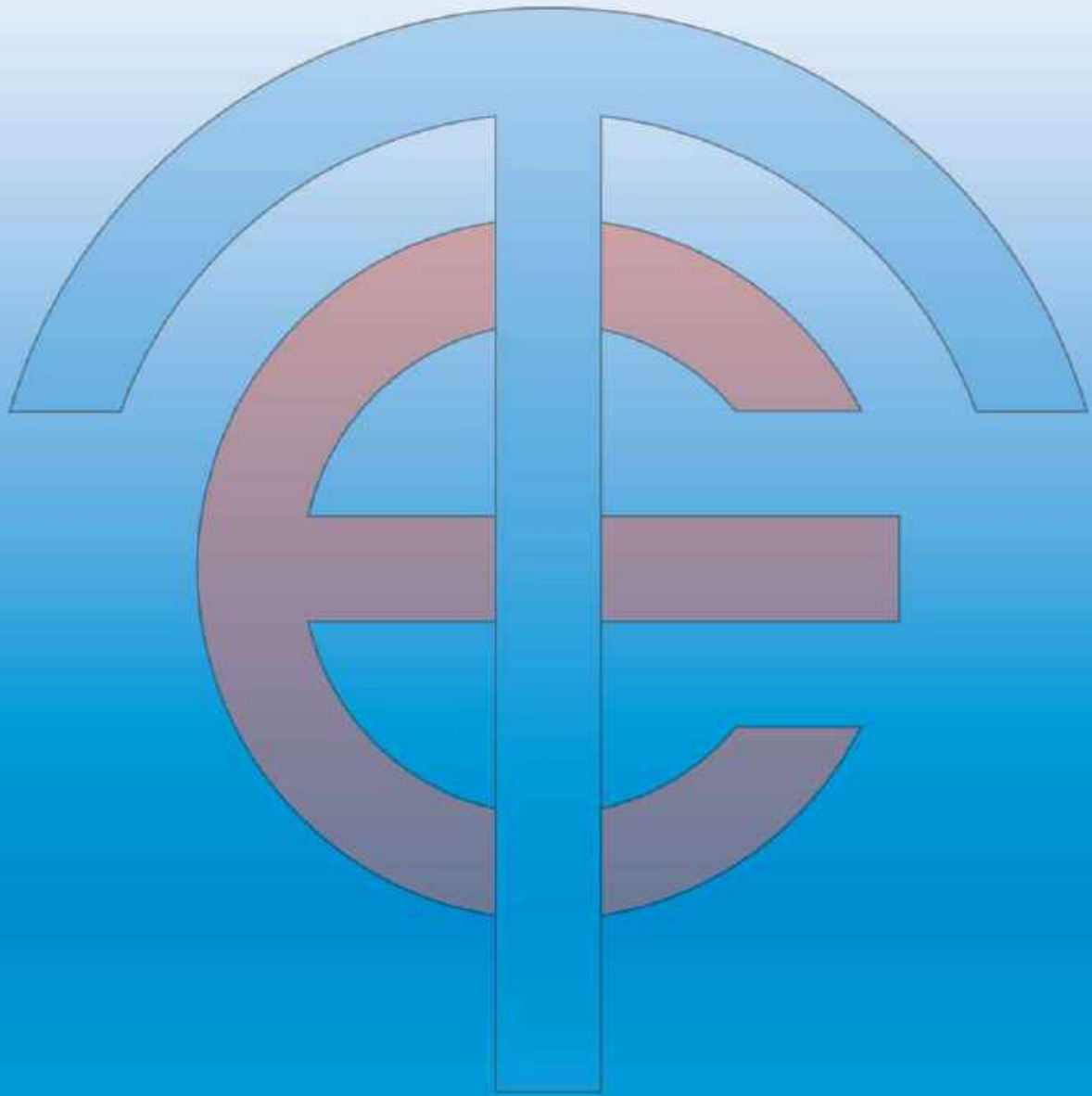


ETQ Series Quarter Turn Electric Actuator

Mounting Dimension

Mounting base according to ISO5211 standard





TORKINDO PRATAMA

LINDETEVES TRADE CENTER GF2, Blok B18 No.9

Jl. Hayam Wuruk No. 127 Jakarta Barat 11180

Telp. : (+6221) 6232 0734, Fax. : (+6221) 6220 0566

website : www.e-tork.com

email : sales@e-tork.com

www.e-tork.com